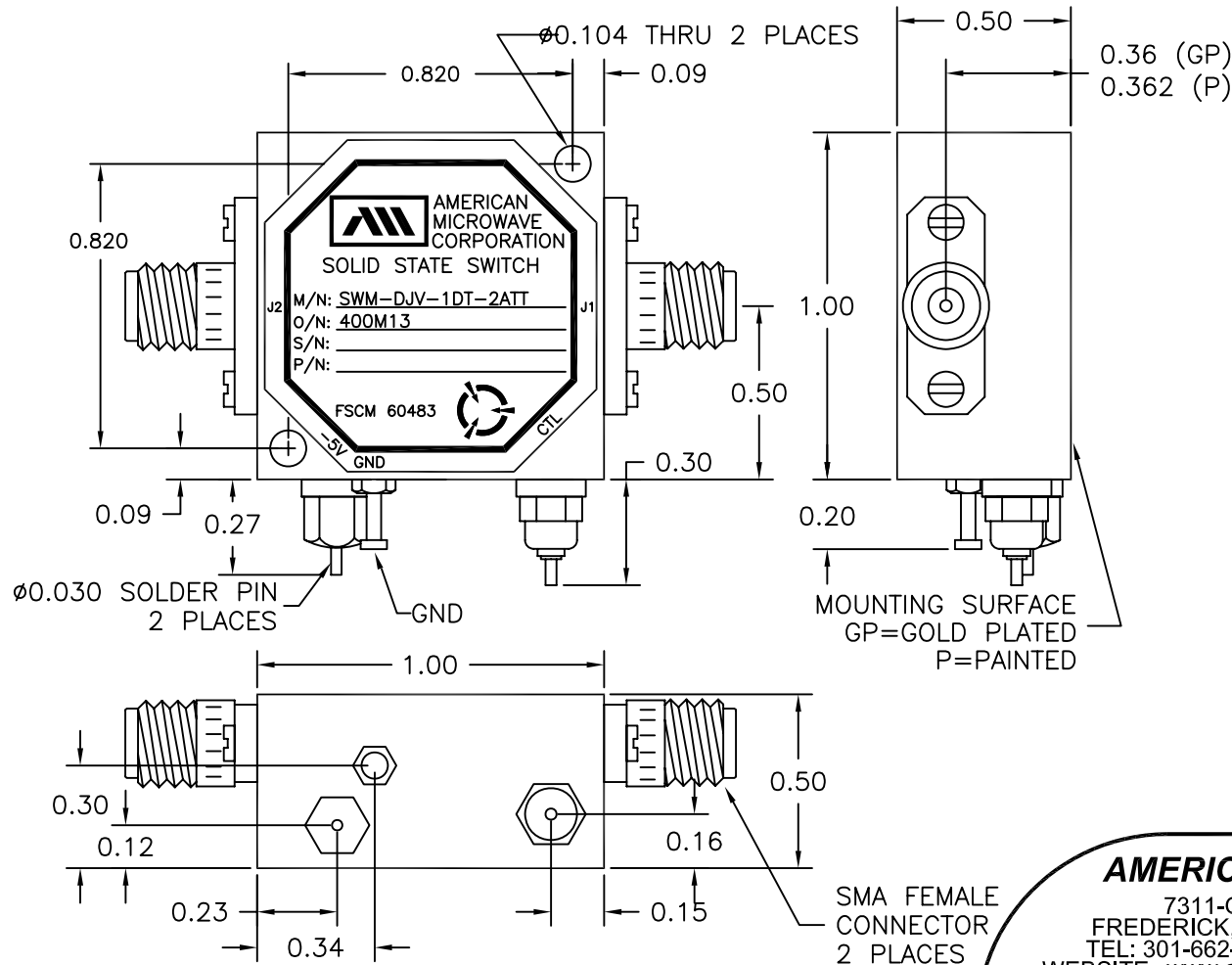


# DESCRIPTION

AMC MODEL SWM-DJV-1DT-2ATT OPTION: 400M13 IS A SINGLE POLE SINGLE THROW, NON-REFLECTIVE/ABSORPTIVE SWITCH MODULE WITH VERY LOW VIDEO TRANSIENT, ULTRA HIGH SPEED, HIGH ISOLATION, AND WITH INTEGRAL TTL DRIVER, DESIGNED FOR 400MHZ TO 13GHZ OPERATION.

REVISIONS				
ZONE	REV.	DESCRIPTION	DATE	APPROVED
	-	ORIGINAL RELEASE JOB# 607137-1	9/20/06	



# MECHANICAL OUTLINE

## AMERICAN MICROWAVE CORPORATION

7311-G GROVE ROAD  
 FREDERICK, MARYLAND 21704 USA  
 TEL: 301-662-4700 FAX: 301-662-4938  
 WEBSITE: [www.americanmicrowavecorp.com](http://www.americanmicrowavecorp.com)  
 E-MAIL: [sales@americanmicrowavecorp.com](mailto:sales@americanmicrowavecorp.com)  
 ISO 9001:2000 CERTIFIED



ALL DIMENSIONS ARE IN INCHES  
 TOLERANCES:  
 X.XX ±0.020  
 X.XXX ±0.010

APPROVALS		DATE	TITLE		
DRAWN	<i>MJB</i>	9/20/06	MECHANICAL OUTLINE SWM-DJV-1DT-2ATT OPTION: 400M13		
CHECKED	<i>RA</i>	9/20/06	400MHZ-13GHZ SINGLE POLE SINGLE THROW SWITCH		
ISSUED			SIZE	FSCM NO.	DWG NO.
			A	60483	100-7706
			SCALE	N:S	SHEET 2 OF 3

## DESCRIPTION

AMC MODEL SWM-DJV-1DT-2ATT OPTION: 400M13 IS A SINGLE POLE SINGLE THROW, NON-REFLECTIVE/ABSORPTIVE SWITCH MODULE WITH VERY LOW VIDEO TRANSIENT, ULTRA HIGH SPEED, HIGH ISOLATION, AND WITH INTEGRAL TTL DRIVER, DESIGNED FOR 400MHZ TO 13GHZ OPERATION.

## SPECIFICATIONS

- FREQUENCY RANGE: ..... 400MHz TO 13GHz
- INSERTION LOSS: ..... 4.5 dB MAXIMUM
- ISOLATION  
400MHz TO 13 GHz: ..... 60 dB MINIMUM
- VSWR: ..... 2.0:1
- RISE TIME: ..... 1nSec TYPICAL, 2nSec MAXIMUM
- FALL TIME: ..... 1nSec TYPICAL, 2nSec MAXIMUM
- DELAY ON: ..... 12nSec TYPICAL, 15nSec MAXIMUM
- DELAY OFF: ..... 12nSec TYPICAL, 15nSec MAXIMUM
- VIDEO TRANSIENT  
300MHz BW(400MHz-13GHz) 20mV P-P  
20MHz BW(400MHz-13GHz) 4mV P-P
- POWER INPUT: ..... (CW)+17 dBm
- CONTROL: ..... TTL LOGIC "0" = ON  
TTL LOGIC "1" = OFF
- POWER SUPPLY: ..... -5V @ 25 mA MAXIMUM
- CONNECTORS:  
RF: ..... SMA FEMALE  
CONTROL: ..... SOLDER PIN
- SIZE: ..... 1.00" (L) x 1.00" (W) x 0.50" (H)
- WEIGHT: ..... 1.5 OUNCE TYPICAL

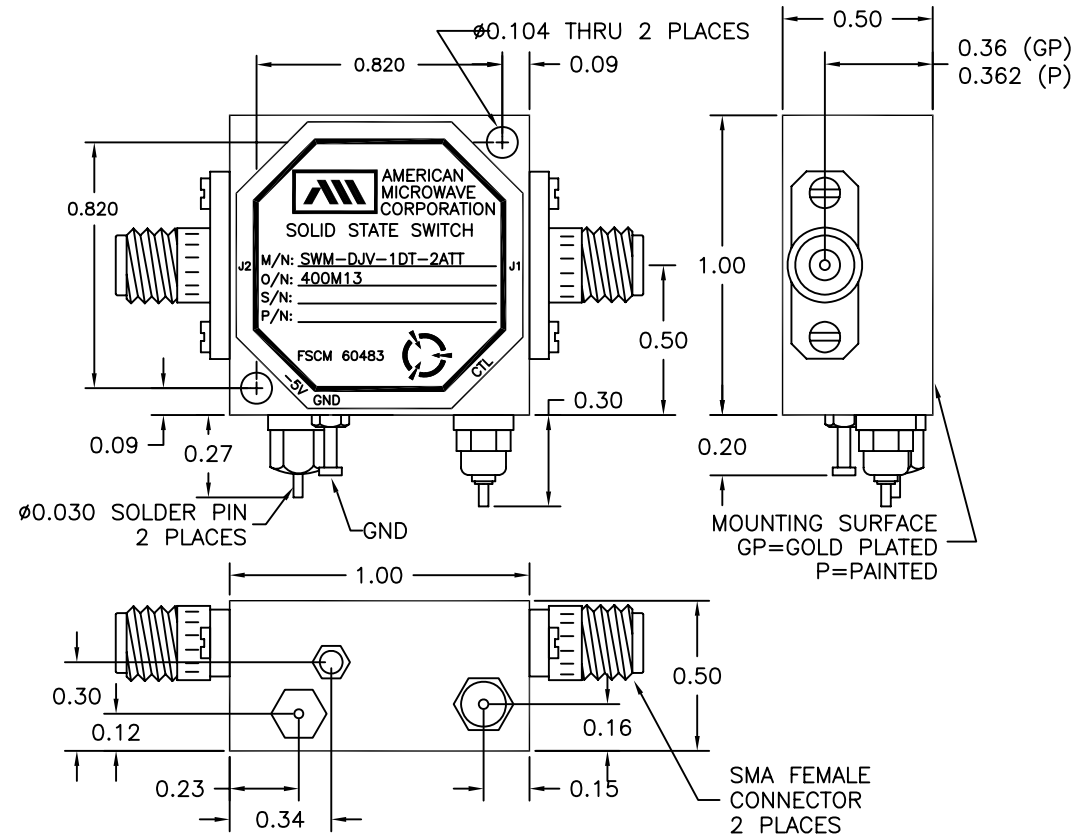
## OPTIONS

- 400M13 ..... FREQUENCY RANGE 400MHZ TO 13GHZ

## ENVIRONMENTAL RATINGS

- **TEMPERATURE:** ..... -55°C TO +85°C (OPERATING)  
..... -65°C TO +125°C (STORAGE)
- **HUMIDITY:** ..... MIL-STD-202F, METHOD 103B COND. B
- **SHOCK:** ..... MIL-STD-202F, METHOD 213B COND. B
- **VIBRATION:** ..... MIL-STD-202F, METHOD 204D COND. B
- **ALTITUDE:** ..... MIL-STD-202F, METHOD 105C COND. B
- **TEMPERATURE CYCLE:** ..... MIL-STD-202F, METHOD 107D COND. A

NOTE: SPECIFICATIONS WILL VARY OVER OPERATING TEMPERATURE  
NOTE: THE ABOVE SPECIFICATIONS ARE SUBJECT TO CHANGE OR REVISION



ALL DIMENSIONS ARE IN INCHES  
TOLERANCES:  
X.XX ±0.020  
X.XXX ±0.010

REVISIONS				
ZONE	REV.	DESCRIPTION	DATE	APPROVED
	-	ORIGINAL RELEASE JOB# 607137-1	9/20/06	

## AMERICAN MICROWAVE CORPORATION

7311-G GROVE ROAD  
FREDERICK, MARYLAND 21704 USA  
TEL: 301-662-4700 FAX: 301-662-4938  
WEBSITE: [www.americanmicrowavecorp.com](http://www.americanmicrowavecorp.com)  
E-MAIL: [sales@americanmicrowavecorp.com](mailto:sales@americanmicrowavecorp.com)  
ISO 9001:2000 CERTIFIED



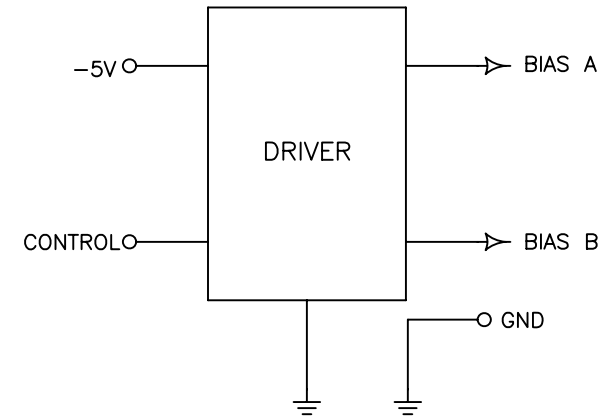
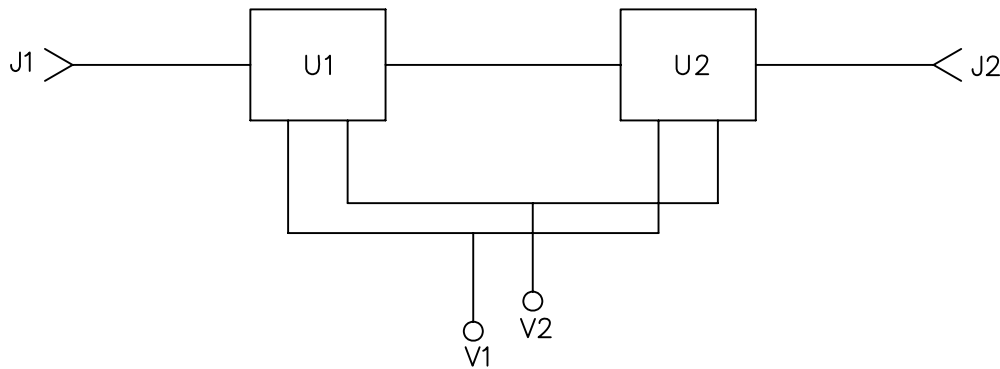
APPROVALS		DATE	TITLE		
DRAWN <i>MFB</i>		9/20/06	PRODUCT FEATURE SWM-DJV-1DT-2ATT OPTION: 400M13		
CHECKED <i>RA</i>		9/20/06	SIZE	FSCM NO.	DWG NO.
ISSUED			A	60483	100-7706
SCALE N:S			SHEET 1 OF 3		

**DESCRIPTION**

AMC MODEL SWM-DJV-1DT-2ATT OPTION: 400M13 IS A SINGLE POLE SINGLE THROW, NON-REFLECTIVE/ABSORPTIVE SWITCH MODULE WITH VERY LOW VIDEO TRANSIENT, ULTRA HIGH SPEED, HIGH ISOLATION, AND WITH INTEGRAL TTL DRIVER, DESIGNED FOR 400MHZ TO 13GHZ OPERATION.

REVISIONS				
ZONE	REV.	DESCRIPTION	DATE	APPROVED
	-	ORIGINAL RELEASE JOB# 607137-1 EMT, CA	9/20/06	

**FUNCTIONAL BLOCK DIAGRAM**



**CONFIDENTIAL AND PROPRIETARY**

**AMERICAN MICROWAVE CORPORATION**

7311-G GROVE ROAD  
 FREDERICK, MARYLAND 21704 USA  
 TEL: 301-662-4700 FAX: 301-662-4938  
 WEBSITE: [www.americanmicrowavecorp.com](http://www.americanmicrowavecorp.com)  
 E-MAIL: [sales@americanmicrowavecorp.com](mailto:sales@americanmicrowavecorp.com)  
 ISO 9001:2000 CERTIFIED



APPROVALS		DATE	TITLE FUNCTIONAL BLOCK DIAGRAM SWM-DJV-1DT-2ATT OPTION: 400M13		
DRAWN <i>MFB</i>		9/20/06	400MHz-13GHz SINGLE POLE SINGLE THROW SWITCH		
CHECKED <i>RA</i>	9/20/06	SIZE A	FSCM NO. 60483	DWG NO. 100-7706	REV. -
ISSUED		SCALE N:S		SHEET 3 OF 3	